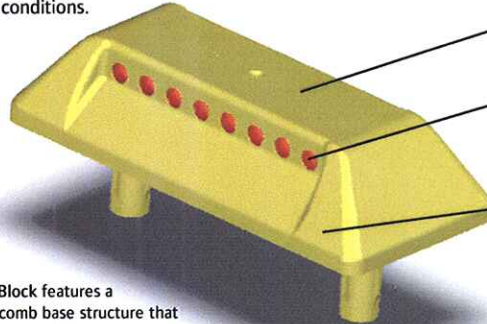


# RhinoBlock™

## the future of reflective channel blockers

Designed specifically for off-ramps, double centre-lines on dual direction carriageways and areas where channelling of traffic is critical RhinoBlock™ offers Africa's road designers and road builders the strength and durability of metal embodiment with the flexibility and cost effectiveness of injection moulding. With its superior strength, unique patented design, unsurpassed reflective performance and the flexibility to be custom manufactured to specific customer requirements at short notice RhinoBlock is an African road safety product custom designed and developed for Africa's harsh conditions.



The RhinoBlock is designed to channel traffic away from or around dangerous obstacles and oncoming traffic.

RhinoBlock utilizes the finest Swareflex glass crystal lenses in a 8 X 10mm lens configuration that delivers the finest and most durable reflective parameters in the world.

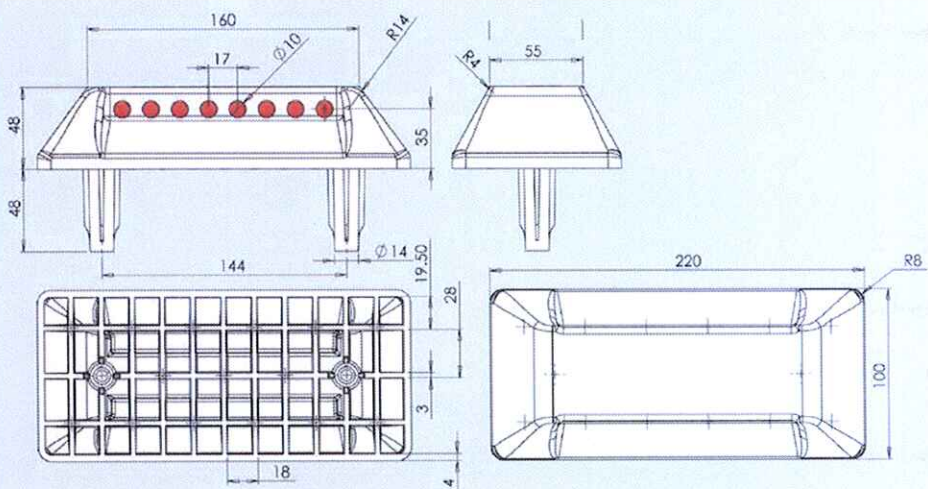
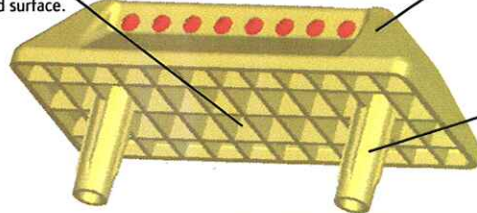


RhinoStud's unique patented side ramps ensure that vehicle tyres never come into direct contact with the reflective lenses thereby ensuring their prolonged optical integrity beyond conventional road stud designs.

RhinoBlock is injection moulded in a single casting from Metal Replacement Polymers. This, combined with the fact that there is no glue, welding or crimping in the manufacturing process, results in metal strength at up to 60% of the cost of conventional metal based studs. As the embodiment has no scrap value RhinoBlock will not be lost to pilfering for scrap.

RhinoBlock has two hollow shanks which provides superior bonding during insertion. The base of the shank is designed to shear clean from the main body and remain below the road surface during a catastrophic impact for enhanced safety to road users.

RhinoBlock features a honeycomb base structure that maximises surface area. Along with a 220cm<sup>2</sup> footprint it provides enhanced bonding to the road surface.



Embodiment:	Ultra-Flow glass reinforced Metal Replacement Polymer
Reflectivity:	Swareflex Glass crystal inserts 10mm Ø 8 off either side
Dimensions:	220mm x 100mm
Availability:	Manufactured in South Africa
Weight:	575 grams
Colours Embodiment:	White, Yellow, Red & Black
Colours Reflectors:	White, Yellow & Red
UV Resistance:	180 (kLy)
Tensile Strength at Break:	230 Mpa (33.3)
Tensile Modulus:	16,500 Mpa (2.390)
Tensile Strain at Break:	2.5%
Flexural Modulus:	14,000 Mpa (2.030)
Charpy Notched Impact Strength:	15 KJ/m <sup>2</sup> (2.3)
Glass Crystals:	En 1463-1 Type P1A fulfilled
Standards:	EN 1463 BS 873/Part 4, CE

RhinoBlock is manufactured in South Africa thereby ensuring rapid delivery to your project site. RhinoBlock conforms to EU, SABS 1442 and SADC Road Standards offering the durability of metal fabricated road studs.

For more information about RhinoBlock or if you would like a free sample or details about existing RhinoBlock installations and test sites please contact:

**Noel vd Westhuizen**  
GODUSA cc  
P O Box 715  
GILLITTS - KZN  
3603



Phone: +27 (0)31-765-4731  
Fax: +27 (0)31-765-5363  
Cell No: +27 (0)83-661-5285  
email: ncon@absamail.co.za